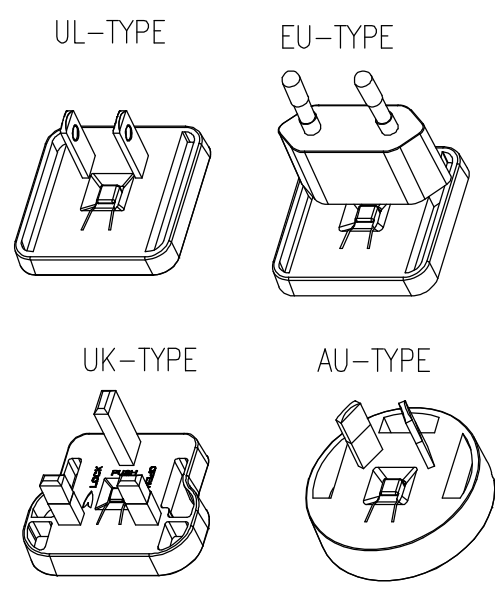


5		6		
VERSION	DESCRIPTION	LOCATION	DESIGN BY	DATE



	Product	EPT25
	Author	Mark Gibbons
	Drawing No	EPT25 rev 1