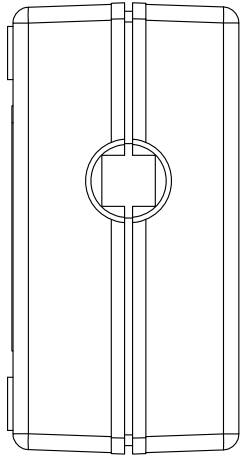
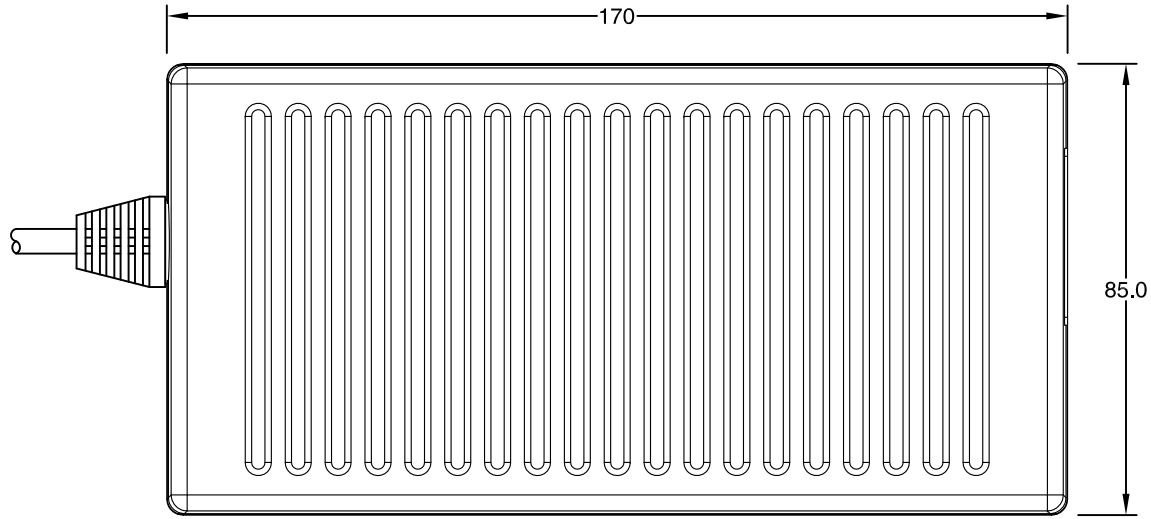


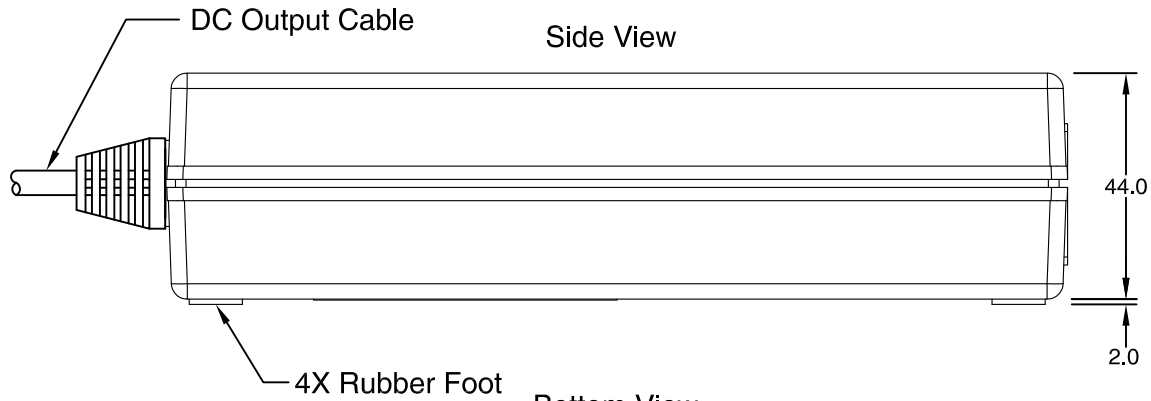
Rear View



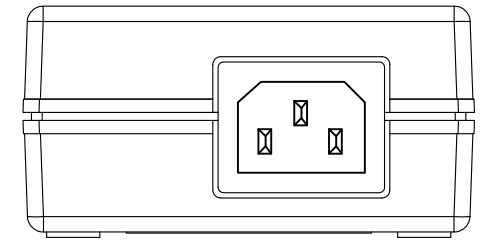
Top View



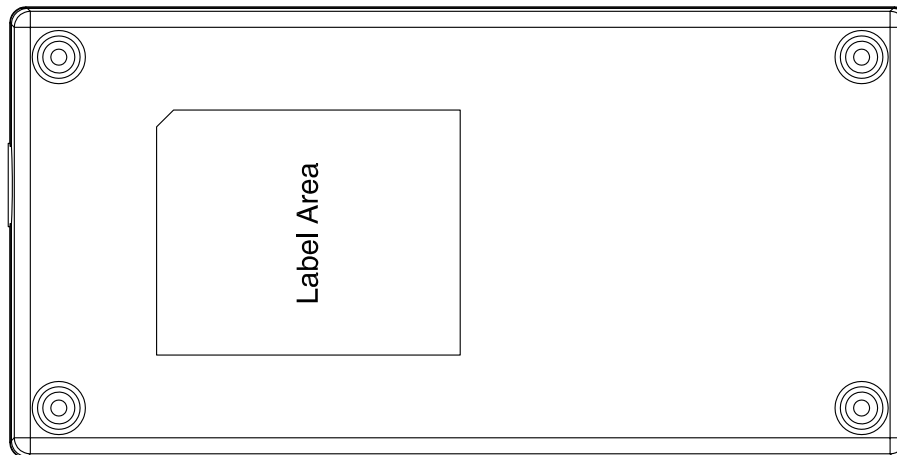
Side View




Front View



Bottom View



	Product	EDF150
	Author	Mark Gibbons
	Date	02/05/2017
	Drawing ref	EDF150MG020517