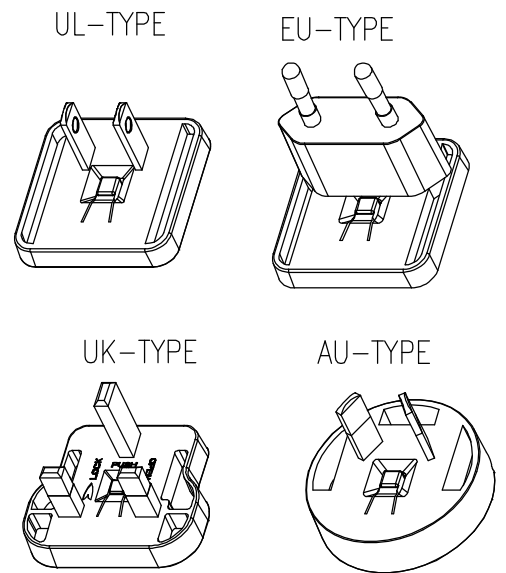


5		6		
VERSION	DESCRIPTION	LOCATION	DESIGN BY	DATE



	Product	MPT25
	Author	Mark Gibbons
	Drawing No	MPT25 rev 1