

36 Watts

- US DoE Energy efficiency level VI
- EU CoC Tier 2 requirements, ErP stage 2
- IEC60601-1-2 4th edition EMC
- Class II –C8
- Single outputs 5 to 24V
- 5 Year warranty



The MDA36 range of external AC-DC power adapters are compliant with the latest medical immunity IEC60601-1-2, energy efficiency Level VI standard, CoC tier 2 and ErP stage 2. The units offer 25-36 watts of output power with output voltages available between 5 and 24VDC. The range is reliable, cost competitive, and comes with an impressive FiDUS 5 year warranty.

Dimensions:

1.97 x 3.94 x 1.30" (50 x 100 x 33mm)

Models & Ratings

Model Number ⁽¹⁾	Output Power	Output voltage	Output Current
MDA3605-C8	25W	5V	5.00A
MDA3607-C8	30W	7.5V	4.00A
MDA3609-C8	36W	9V	4.00A
MDA3612-C8	36W	12V	3.00A
MDA3615-C8	36W	15V	2.40A
MDA3618-C8	36W	18V	2.00A
MDA3624-C8	36W	24V	1.50A

Notes

1. C18 Class II, C6 & C14 Class I IEC inlet also available on request
2. Alternative output connectors available for production quantities. Contact sales for details
3. For UK/ US/ EU mains power cable please order UK-C8, US-C8 or EU-C8 separately

Key specifications

Parameter	Minimum	Typical	Maximum	Units	Notes & Conditions
AC Input range	90		264	VAC	No derating
Operating temperature	0		60	°C	100% power at 40°C, derating to 50% power at 60°C
Efficiency	88			%	
Dimensions	1.97 x 3.94 x 1.30" (50 x 100 x 33mm)				
EMC	EN55011 Level B Conducted and Radiated. EN61000-3 and EN61000-4, harmonics, flicker, Surge, EFT, ESD, conducted and radiated to IEC 60601-1-2 4th edition				

Safety Approvals

	Safety standard	Notes & Conditions
UL	ANSI/AAMI 60601-1, UL 60950-1: 2nd edition	
CB	IEC 60601-1, IEC 60950-1:2005 /A2:2013	PSE
TUV	EN 60601-1, EN 60950-1:2006 /A2:2013	
CE		2011/65/EU RoHS Directive and 2014/35/EU Low voltage directive
Equipment protection class		Class II (class I available on request)

Input

Parameter	Minimum	Typical	Maximum	Units	Notes & Conditions
Input voltage	90		264	VAC	No derating
Input frequency	47		63	Hz	
Power factor					EN61000-3-2 class A compliant
Input current			1.0	A	
Inrush current			70	A	High line. Full load, 25°C cool start, Vin=230VAC
No load input power			0.1	W	230VAC

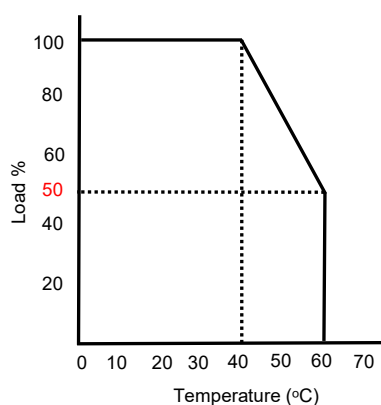
Output

Parameter	Minimum	Typical	Maximum	Units	Notes & Conditions
Output voltage	5		24	VDC	
Total regulation		±5		%	
Minimum load	0			%	
Transient response		0.5		mS	50% load change
Ripple & Noise		2		%Pk-Pk	All models measured with 10uF and 0.1uf capacitor. 20 MHz bandwidth
Hold up time	10			ms	At full load
Overload protection			200	%	Automatic recovery
Short circuit protection					Automatic recovery
Over voltage protection			200	%	Latch off reset
Touch current			100	uA	

Environmental

Parameter	Minimum	Typical	Maximum	Units	Notes & Conditions
Operating temperature	0		60	°C	100% load at 40°C, derating to 50% load at 60°C
Storage temperature	-20		80	°C	
Cooling					Convection cooled
Operating Humidity	20		80	% RH	
Storage Humidity	10		90	% RH	

Derating curve



General

Parameter	Minimum	Typical	Maximum	Units	Notes & Conditions
Efficiency	88			%	
Isolation	Input to Output: 4000			VAC	For 1 minute. 2 x MOPP
Insulation resistance		10		MOhm	500Vdc input to output and output to ground
Power density			3.57	W/in ³	
MTBF	300			KHrs	As per Telcordia SR-332
Weight		210		g	

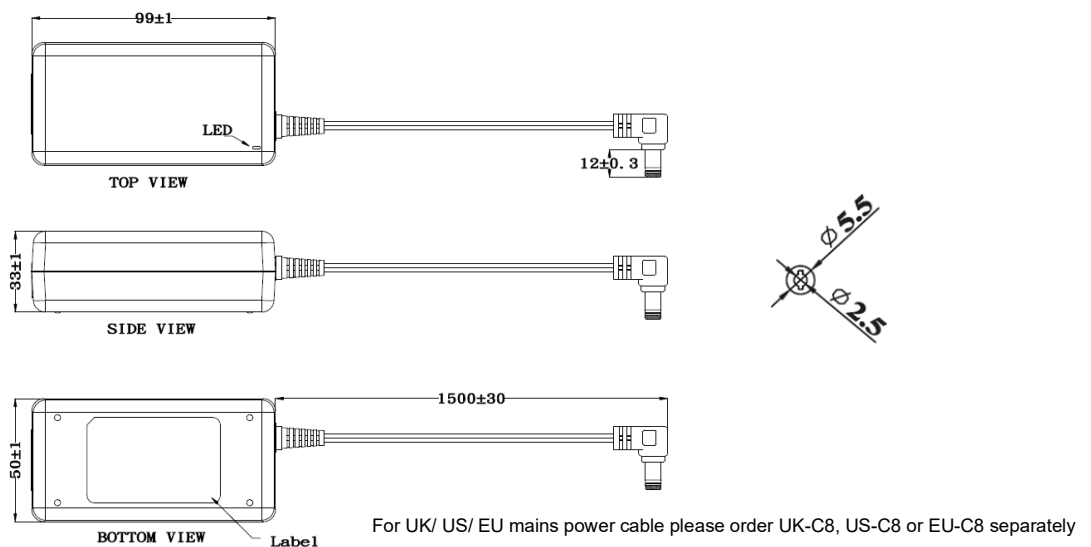
EMC: Emissions

	Standard	Test level	Criteria	Notes & Conditions
Conducted	EN55011	B		
Radiated	EN55011	B		
Harmonic current	EN61000-3-2	Class A		
Voltage flicker	EN61000-3-3			

EMC: Immunity

	Standard	Test level	Criteria	Notes & Conditions
ESD	EN61000-4-2	3	A	8kV contact, 15kV air
Radiated	EN61000-4-3	3	A	3-28V/m, 80MHz-2700MHz, 1KHz 80% AM Modulation
EFT	EN61000-4-4	3	A	2kV 100KHz
Surges	EN61000-4-5	Installation Class 3	A	1KV L to N both at 0°, 90°, 180°, 270°
Conducted	EN61000-4-6	3	A	3/6Vrms, 1KHz 80 AM Modulation 150KHz-80MHz
PFMF	EN61000-4-8	4	A	30A/m
Voltage Dips / Interruptions	EN61000-4-11	100% for 0.5 & 1 cycle, 30% for 25 cycles: 240VAC A,A,A, 100VAC A,A,B interrupt 250,300 cycles and 30% for 30 cycles: 240VAC B,B,A, 100VAC B,B,B		

Mechanical Details



Notes

- All dimensions in mm
- Output connector : Tuning fork style 5.5 / 2.5mm
- 5V units use AWG16, 7.5-15V use AWG18 others use AWG20